

 **TEREX | DEMAG**

**AC 50-1 | All Terrain Crane**

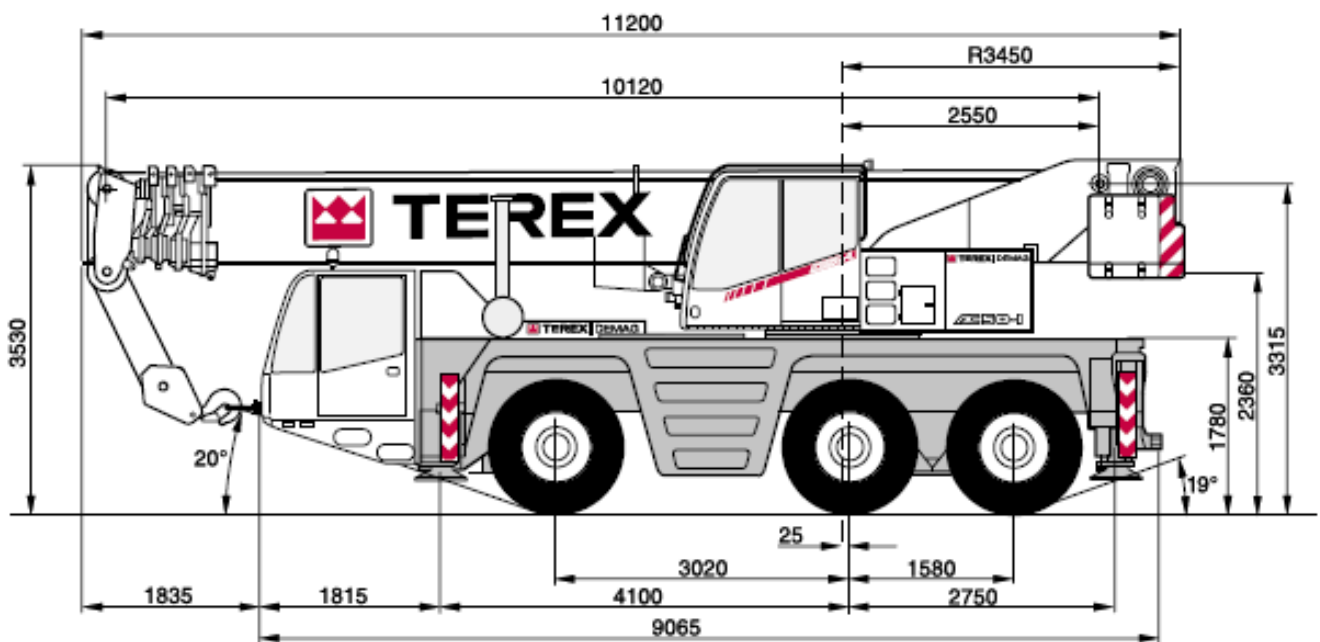
**50 t Lifting Capacity**



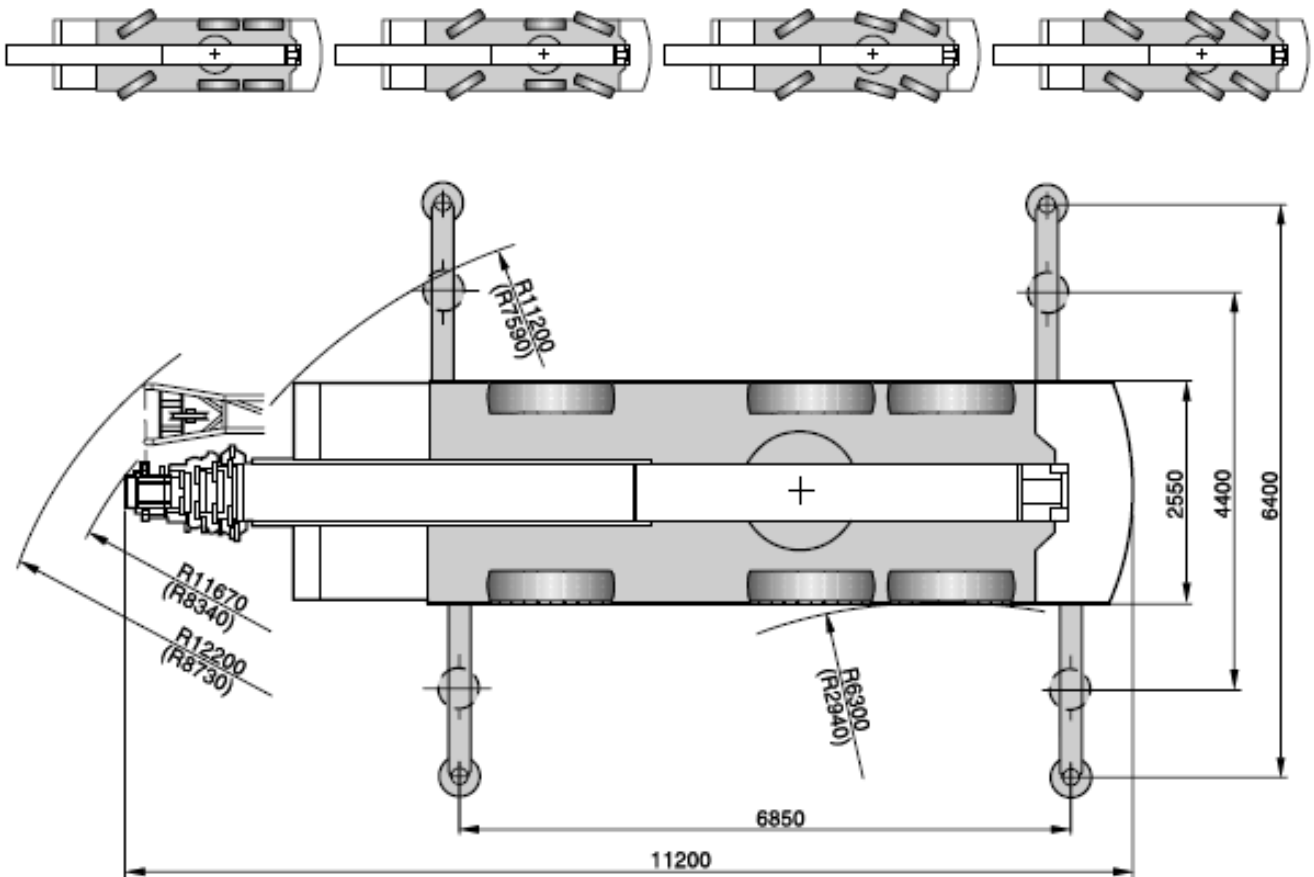
# AC 50-1

**ALL TERRAIN CRANE**

**DIMENSIONS**



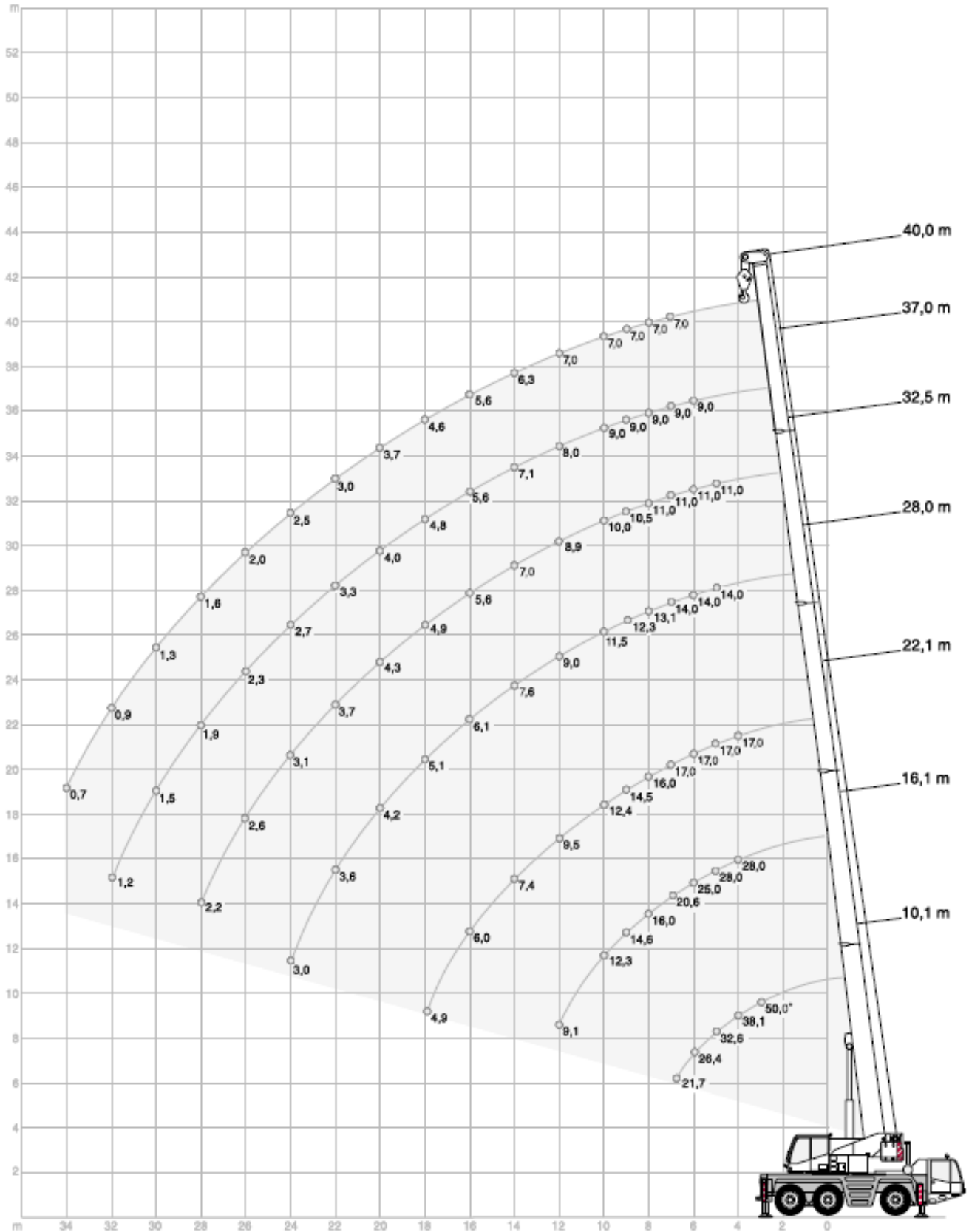
**DIMENSIONS**



( ) with independent rear axle steering

Duties with reduced outrigger base on request

**HA WORKING RANGES**



\* over rear

**HAV Working Ranges**

