




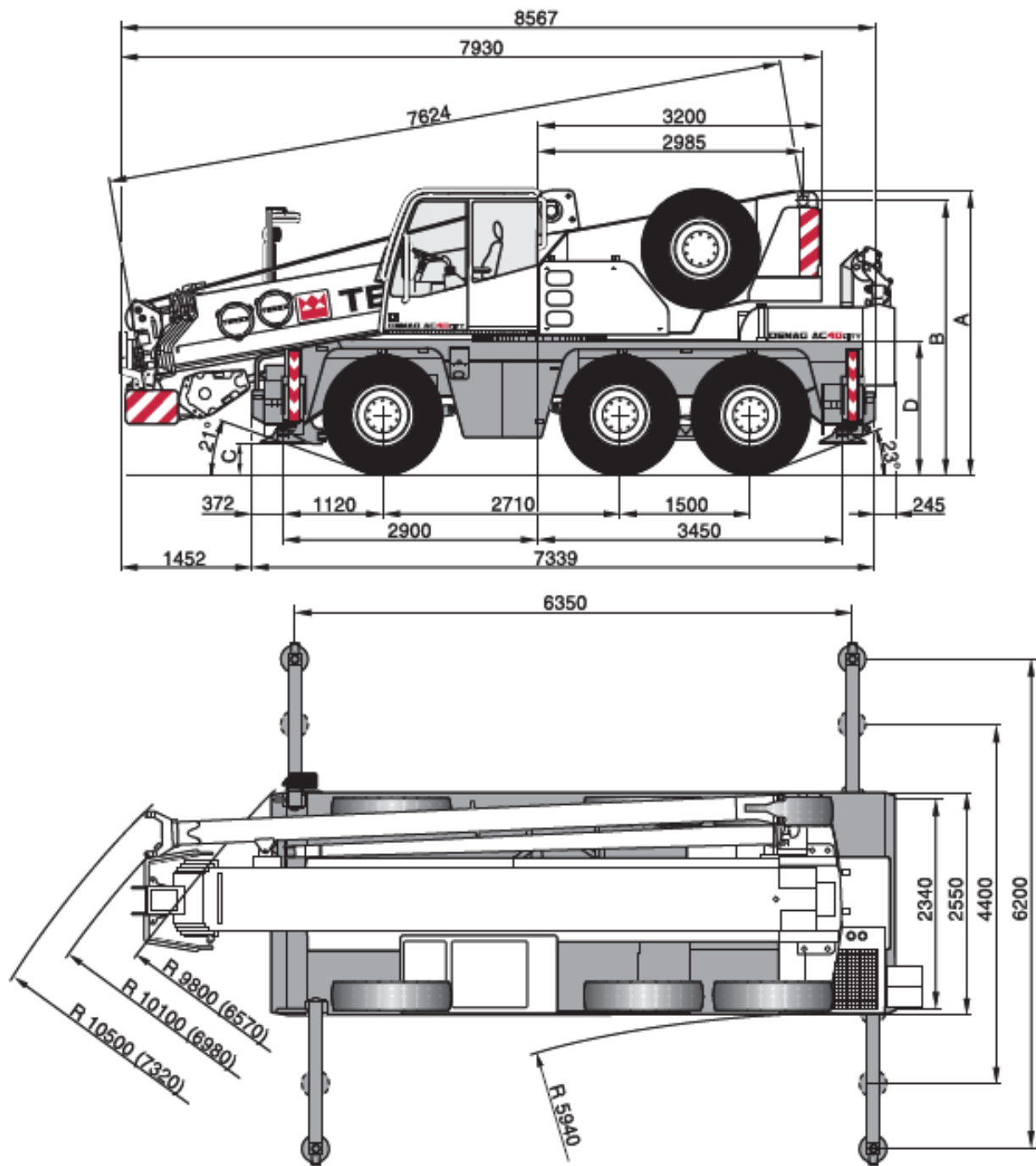
**DEMAG AC40<sub>CITY</sub> | All Terrain Crane 40 t Lifting Capacity**



**DEMAG AC40<sub>CITY</sub>**  
**ALL TERRAIN CRANE**

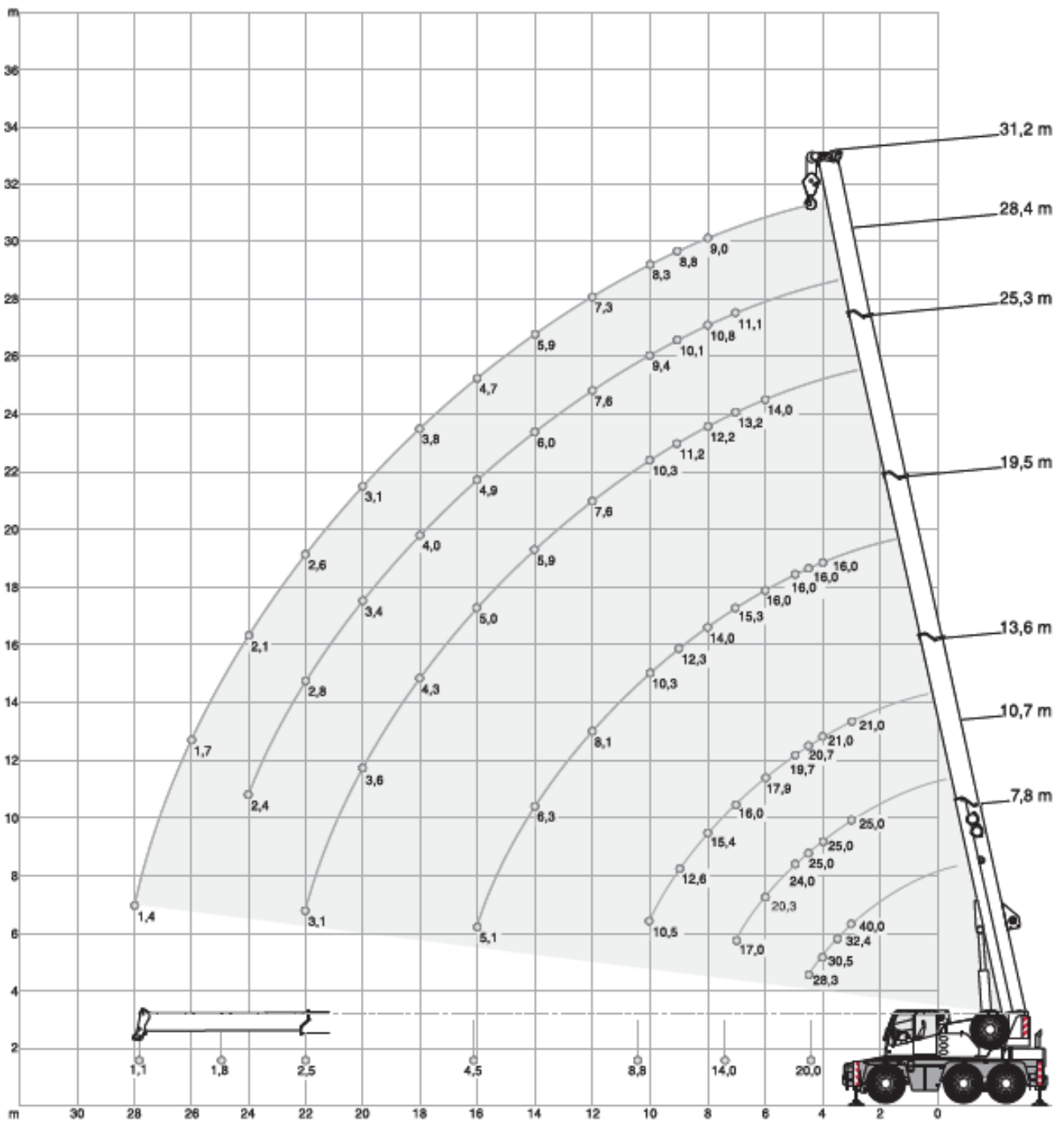
**DIMENSIONS**

	Level	A	B	C	D
14.00R25 17.50R25	Road	3195	3085	340	1490
14.00R25 17.50R25	Lowered	3115	3005	260	1410

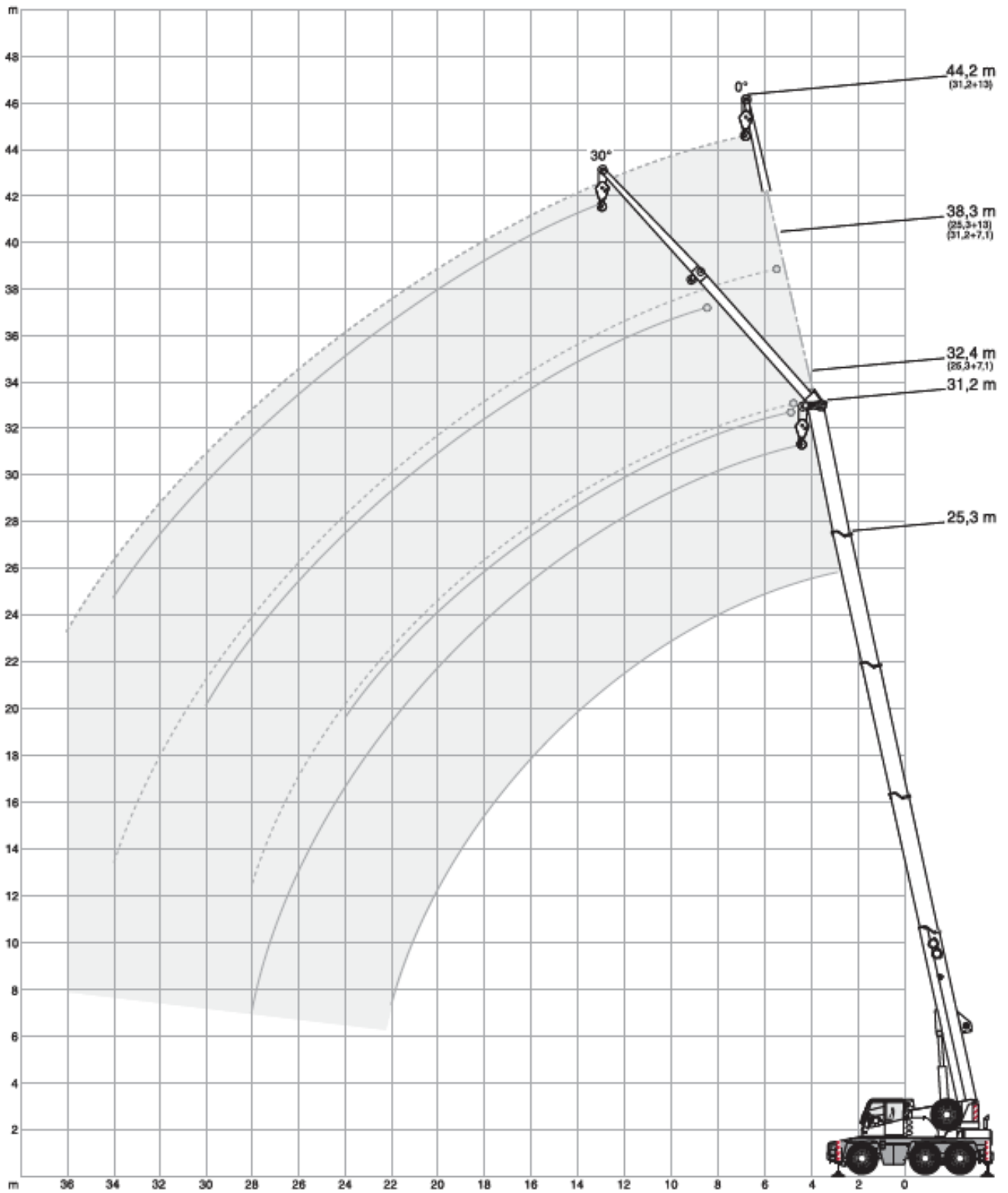


( ) with independent rear axle steering

# HA WORKING RANGES



**HAV**



# MS

## FOR WORKSHOP APPLICATIONS

