

 **TEREX | DEMAG**

AC 30 City | All Terrain Crane

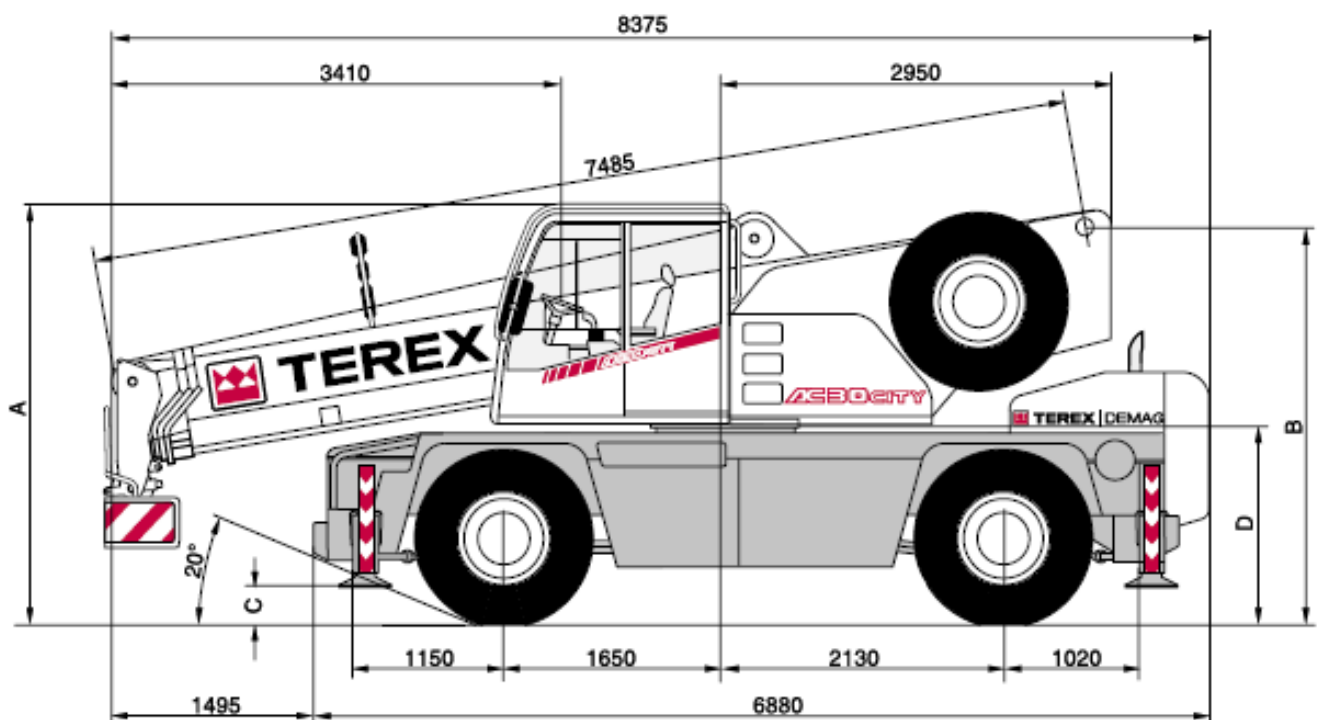
30 t Lifting Capacity



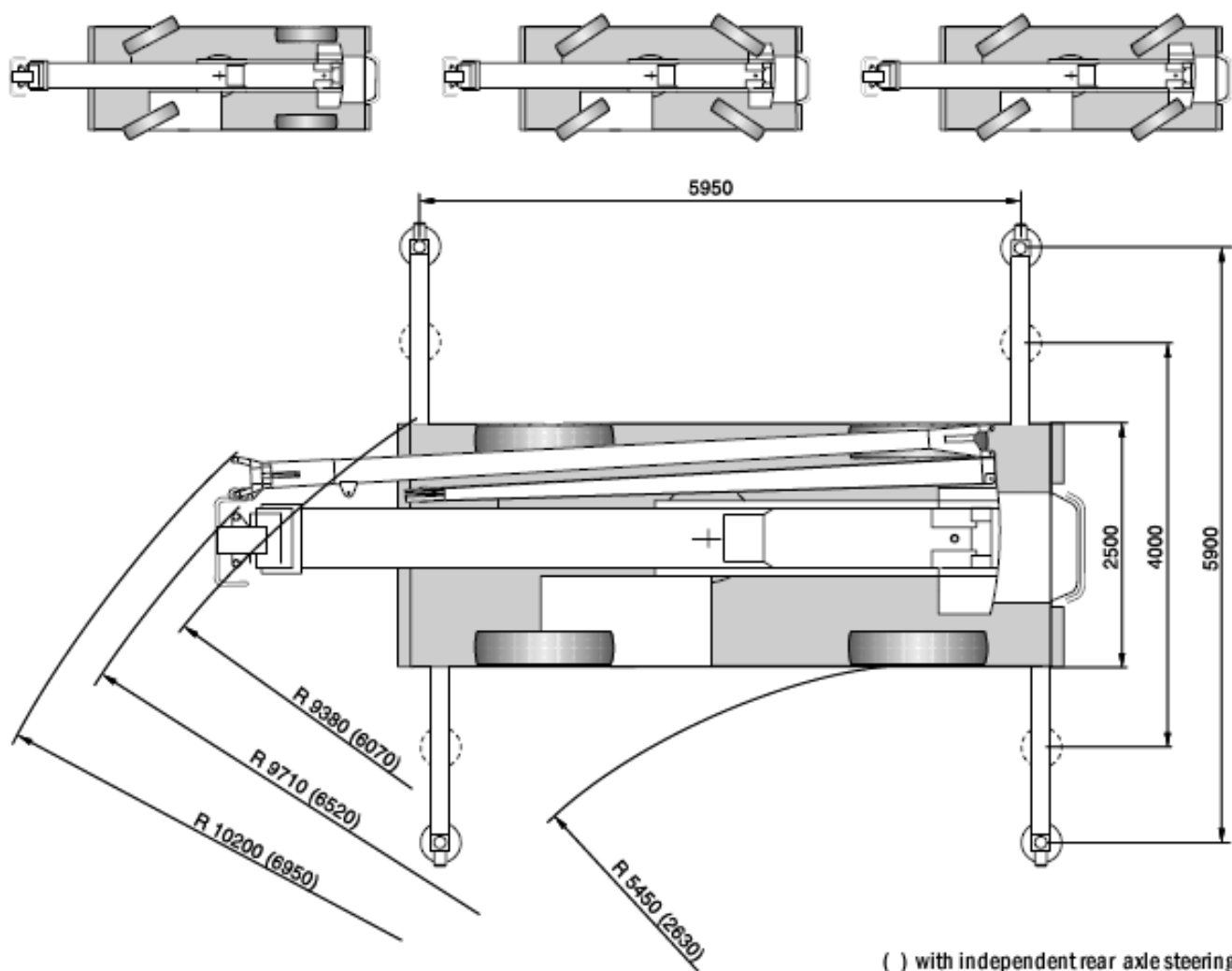
AC 30 City
ALL TERRAIN CRANE

DIMENSIONS

| Type of tyres | Level | A | B | C | D |
|---------------|---------|------|------|-----|------|
| 14.00 | Road | 3190 | 3040 | 340 | 1525 |
| 14.00 | Lowered | 3100 | 2950 | 250 | 1435 |
| 445 / 65 | Road | 3080 | 2941 | 236 | 1421 |
| 445 / 65 | Lowered | 2990 | 2851 | 146 | 1331 |



DIMENSIONS



HA WORKING RANGES

